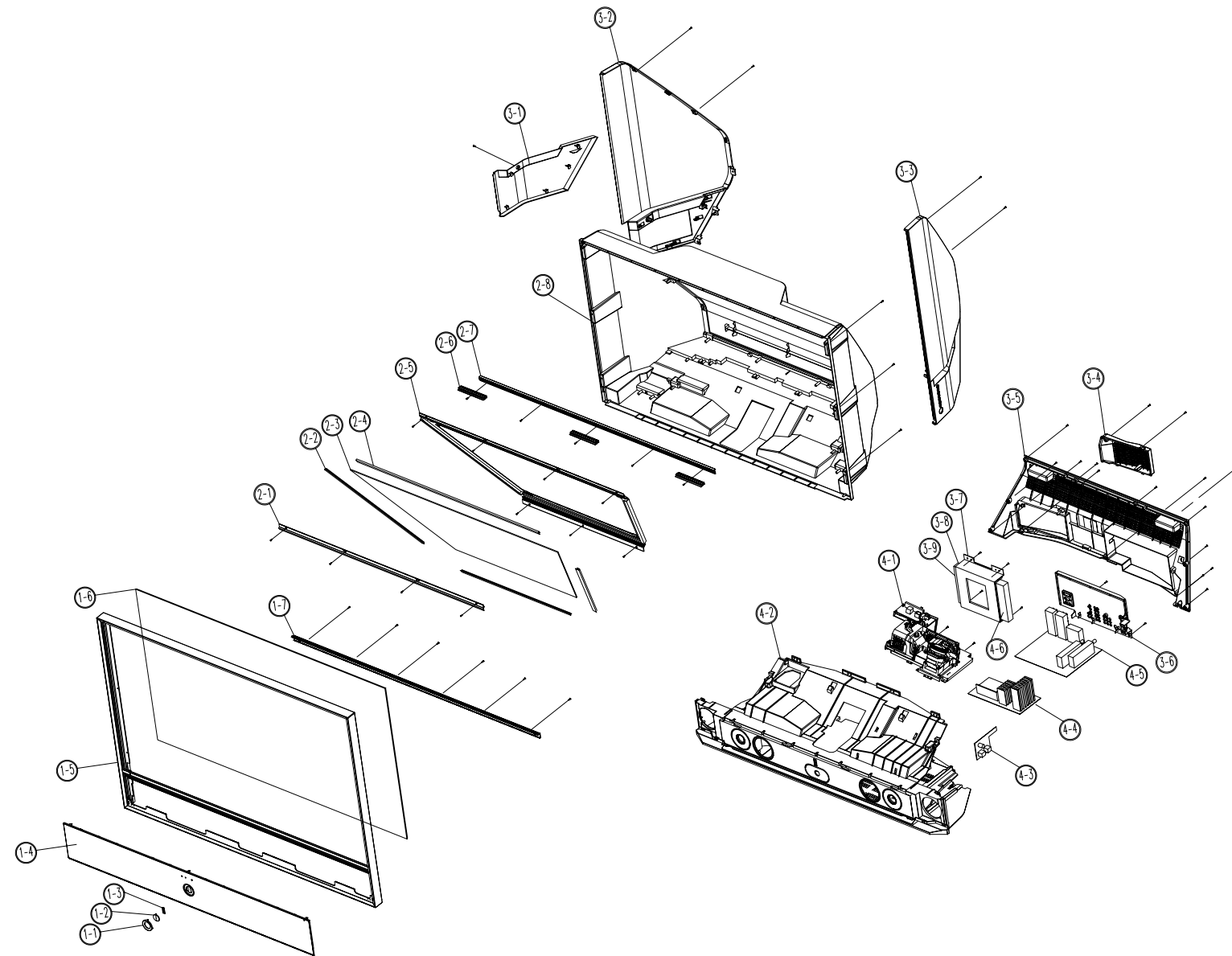


7. Exploded View & Parts List

7-1 HLN467WX/XAA

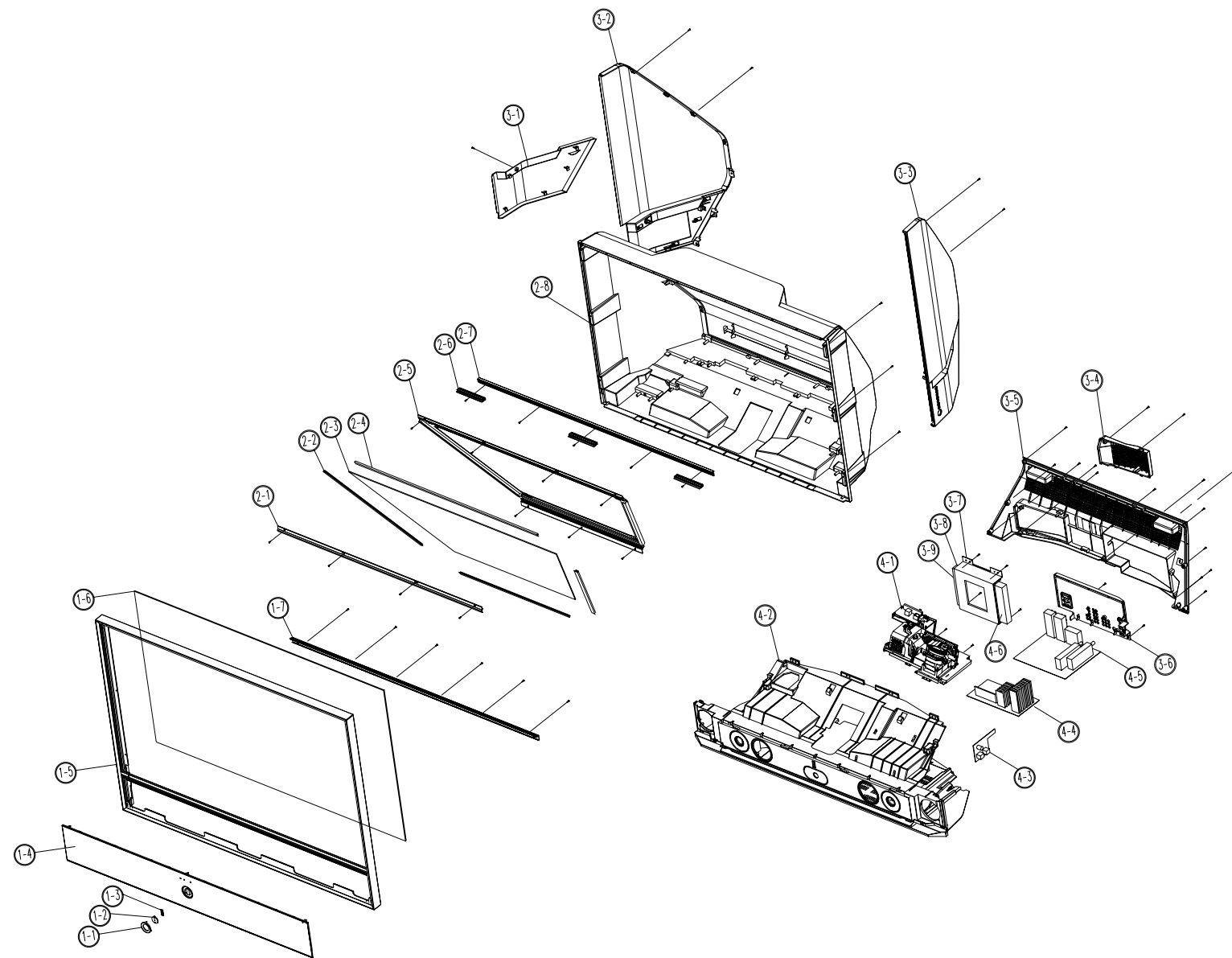
You can search for the updated part code through ITSELF web site.
URL : <http://itself.sec.samsung.co.kr>



No	Code No	Description	Specification	Q'ty	Remark	S.N.A
1-1	BP64-00127A	KNOB-SIDE,COVER;52Q7,AL T1.0		1		S.N.A
1-2	BP64-00247B	WINDOW-LED;56L5,ACRYL,T2.0,TAPE WF-724 2		1		S.N.A
1-3	BP64-00071A	INDICATOR LED;507W,ACRYL		1	T0059	S.N.A
1-4	BP63-00142A	COVER-GRILL;46L5,HIPS,HB,GRAY		1		S.N.A
1-5	BP96-00321A	ASSY COVER P-FRONT;46L5,AL EXTR,SILVER H		1	M0001	
1-6	BP67-00051A	SCREEN FRESNEL;SAM 46WF,PMMA,2.0MM,PITC		1	T0053	S.N.A
	BP67-00053A	SCREEN LENTI;SAM 46 WL,PMMA,1.2MM,PITCH		1	T0054	S.N.A
1-7	BP61-00262A	BRACKET-SCREEN BOT;46L5,AL6063,BLK,EXTR		1		S.N.A
2-1	BP61-00259A	BRACKET-MIRROR TOP(T);46L5,AL6063,BLK,EX		1		S.N.A
2-2	AA63-00021G	SPACER-MIRROR;524J,434J,PVC,-,-,BLK,-,		3		S.N.A
2-3	BP67-00040A	MIRROR-FRONT,DM1;43,GLASS,810*472*434,F		1	T0134	
2-4	AA63-00021U	SPACER-MIRROR BOT;47Q7,PVC HB,L770,BLK		1		S.N.A
2-5	BP61-00337A	BRACKET-MIRROR ASSY;SECC,46L5		1		S.N.A
2-6	BP61-00304A	HOLDER-FRONT TOP;56L5,ABS HB,130,BLK,EXT		3		S.N.A
2-7	BP61-00364A	HOLDER-FRONT,TOP;PC-ABS G/F20 BLK,56L5,B		2		S.N.A
2-8	BP96-00324B	ASSY COVER P-BACK TOP;46L5,HIPS,V0,GRY,D		1	T0131	S.N.A
3-1	BP63-00066A	COVER-LAMP;46L5,ABS,HB,GRAY		1		S.N.A
3-2	BP63-00064A	COVER-FRONT LEFT;46L5,AL6063,EXTR		1		S.N.A
3-3	BP63-00065A	COVER-FRONT RIGHT;46L5,AL6063,EXTR		1		S.N.A
3-4	BP63-00054A	COVER-DUCT;56L5,PC-ABS,V0,GRY		1		S.N.A
3-5	BP64-00225A	CABINET-BACK BOT;46L5,HIPS,V0,GRAY		1	T0269	
3-6	AA61-01198A	HOLDER-TERMINAL;507W,HIPS V0,GRY,G4309		1		S.N.A
3-7	BP96-00139A	ASSY MISC P-SUPPORT BACK;507W		1		S.N.A
3-8	BN63-00316A	SHIELD-CASE,D-BOT;50L2,SPT,TO.5		1		S.N.A
3-9	BP96-00153A	ASSY COVER P-SHIELD,JACK;507W,PBS,TO.2,C		1		S.N.A
3-10	BP94-00502W	ASSY PCB MISC-DIGITAL;HLN507WX/XAA,L62A,		1	T0132	
4-1	BP91-00787D	ASSY MISC-ENINGE,MECHA;46 DLP ENGINE,TO		1		S.N.A
4-2	BP96-00322B	ASSY COVER P-MAIN;46L5,HIPS,V0,GRY,XAA		1	T0158	S.N.A
4-3	BP94-00565D	ASSY PCB MISC-LINE FILTER;		1	T0137	
4-4	BP94-00087A	ASSY PCB POWER;HLM437WX/XAA,L62A		1	T0133	
4-5	BP94-00500Q	ASSY PCB MAIN-ANALOG;HLN567WX/XAA,L62A		1	T0073	

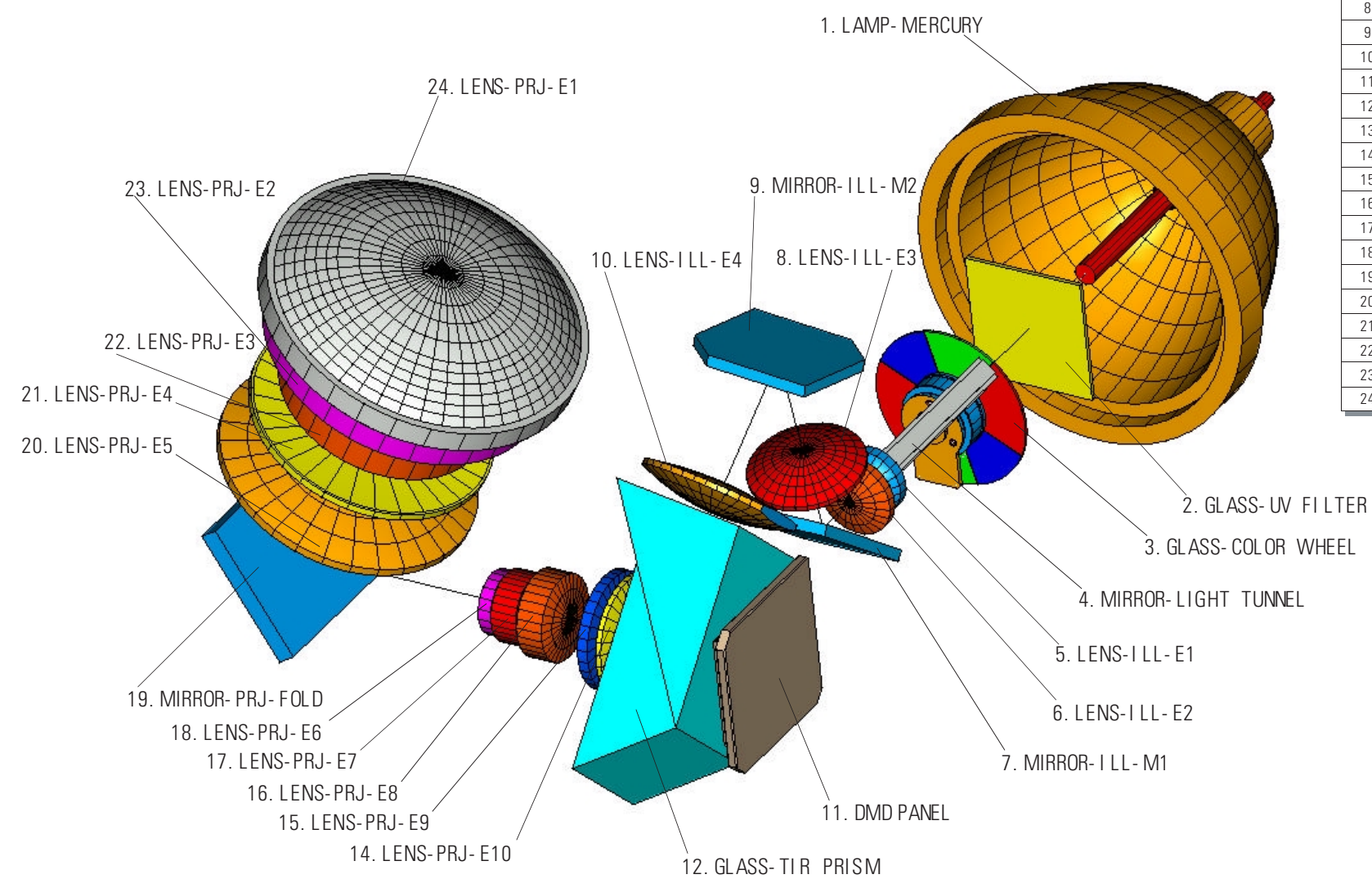
7-2 HLN567WX/XAA

You can search for the updated part code through ITSELF web site.
 URL : <http://itself.sec.samsung.co.kr>



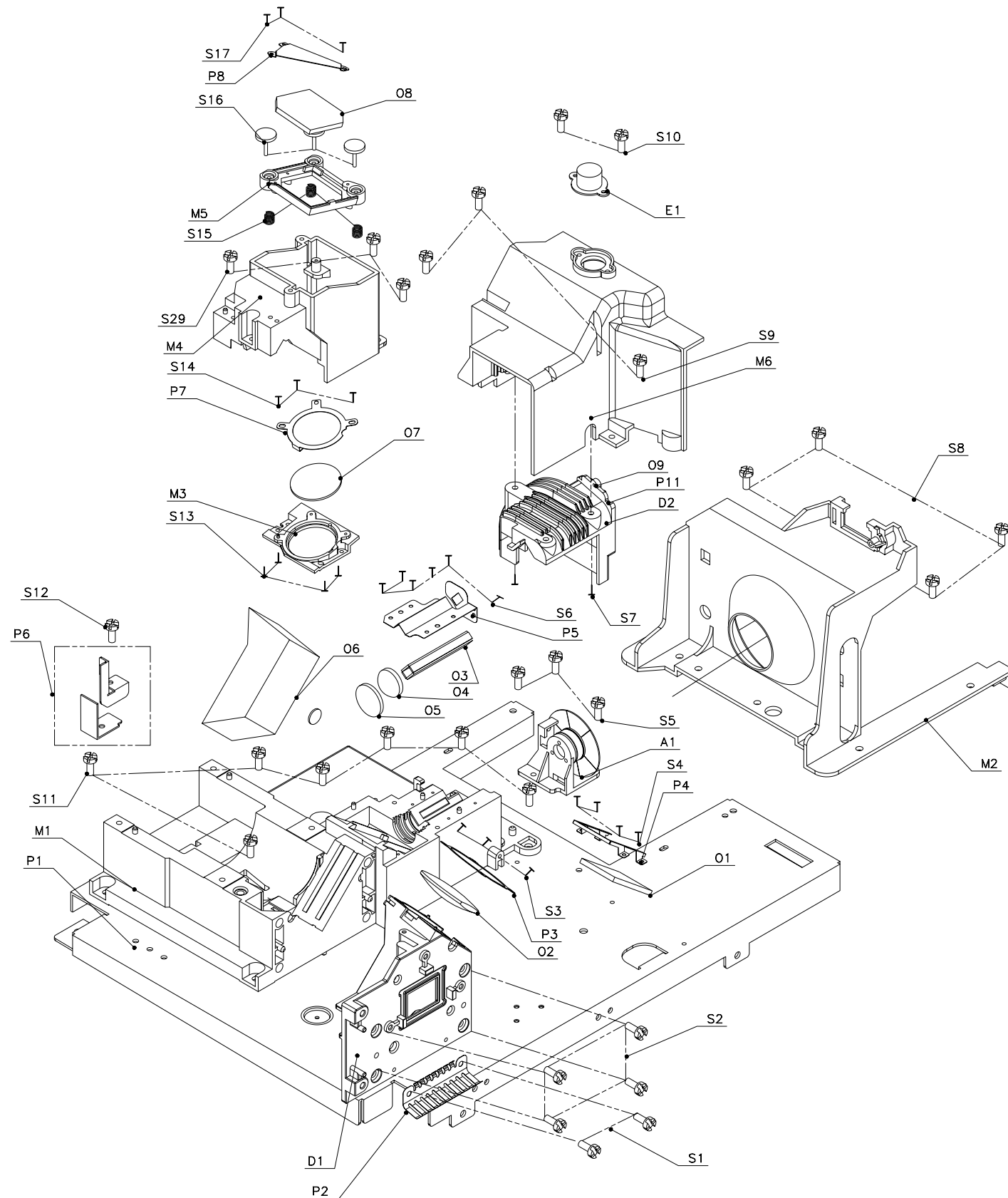
No	Code No	Description	Specification	Q'ty	Remark	S.N.A
1-1	BP64-00127A	KNOB-SIDE,COVER;52Q7,AL T1.0		1		S.N.A
1-2	BP64-00247B	WINDOW-LED;56L5,ACRYL,T2.0,TAPE WF-724 2		1		S.N.A
1-3	BP64-00071A	INDICATOR LED;507W,ACRYL		1	T0059	S.N.A
1-4	BP63-00143A	COVER-GRILL;56L5,HIPS,HB,GRAY		1		S.N.A
1-5	BP96-00300B	ASSY COVER P-FRONT;56L5,AL EXTR,SILVER,H		1	M0001	
1-6	BP67-00052A	SCREEN FRESNEL;SAM 56WF,PMMA,2.0MM		1	T0053	S.N.A
	BP67-00054A	SCREEN LENTI;SAM 56 WL,PMMA,2.1MM		1	T0054	S.N.A
1-7	BP61-00384A	BRACKET-SCREEN HOLE;AL6063 EXTR BLK,56		1		S.N.A
2-1	BP61-00223A	BRACKET-MIRROR TOP(T);,AL6063,,,BLK,EXT		1		S.N.A
2-2	AA63-00021N	SPACER-MIRROR,SIDE;50J6,PVC HB,L545,BLK		3		S.N.A
2-3	BP67-00059A	MIRROR-FRONT;Mirror Front 56,glass,1048		1		S.N.A
2-4	AA63-00021L	SPACER-MIRROR,TOP;50J6,PVC HB,BLK,L1020		1		S.N.A
2-5	BP61-00305A	BRACKET-MIRROR ASSY;BLK,56L5		1		S.N.A
2-6	BP61-00304A	HOLDER-FRONT TOP;56L5,ABS HB,130,BLK,EXT		3		S.N.A
2-7	BP61-00240A	BRACKET-FRONT TOP;56L5,AL6063,BLK,EXTR		1		S.N.A
2-8	BP96-00302B	ASSY COVER P-BACK TOP;56L5,HIPS V0,GRY,D		1	T0131	
3-1	BP63-00052B	COVER-LAMP;56L5,ABS,HB,GRY,SV012P		1		S.N.A
3-2	BP63-00050B	COVER-SIDE LEFT;56L5,ABS,HB,GRY,SVM4102,		1		S.N.A
3-3	BP63-00051B	COVER-SIDE RIGHT;56L5,ABS,HB,G4309,SVM41		1		S.N.A
3-4	BP63-00054A	COVER-DUCT;56L5,PC-ABS,V0,GRY		1		S.N.A
3-5	BP64-00212A	CABINET-BACK BOT;56L5,HIPS,V0,,,,GRAY,		1	T0269	S.N.A
3-6	AA61-01198A	HOLDER-TERMINAL;507W,HIPS V0,GRY,G4309		1		S.N.A
3-7	BP96-00139A	ASSY MISC P-SUPPORT BACK;507W		1		S.N.A
3-8	BN63-00315A	SHIELD-CASE,D-TOP;50L2,SPTE,T0.5		1		S.N.A
3-9	BP96-00152A	ASSY COVER P-SHIELD CASE,BOT;507W,SPTE,T		1		S.N.A
3-10	BP94-00385A	ASSY PCB MISC-DIGITAL;HLN617WX/XAA,L62A		1	T0132	
4-1	BP91-00787E	ASSY MISC-ENINGE,MECHA;56 DLP ENGINE,TO		1		S.N.A
4-2	BP96-00297E	ASSY COVER P-MAIN;56L5,HIPS,V0,GRY,XAA		1	T0158	S.N.A
4-3	BP94-00565D	ASSY PCB MISC-LINE FILTER;		1	T0137	
4-4	BP94-00089A	ASSY PCB POWER;HLM617WX/XAA,L62A		1	T0133	
4-5	BP94-00500Q	ASSY PCB MAIN-ANALOG;HLN567WX/XAA,L62A		1	T0073	

7-3 Exploded View of Optic

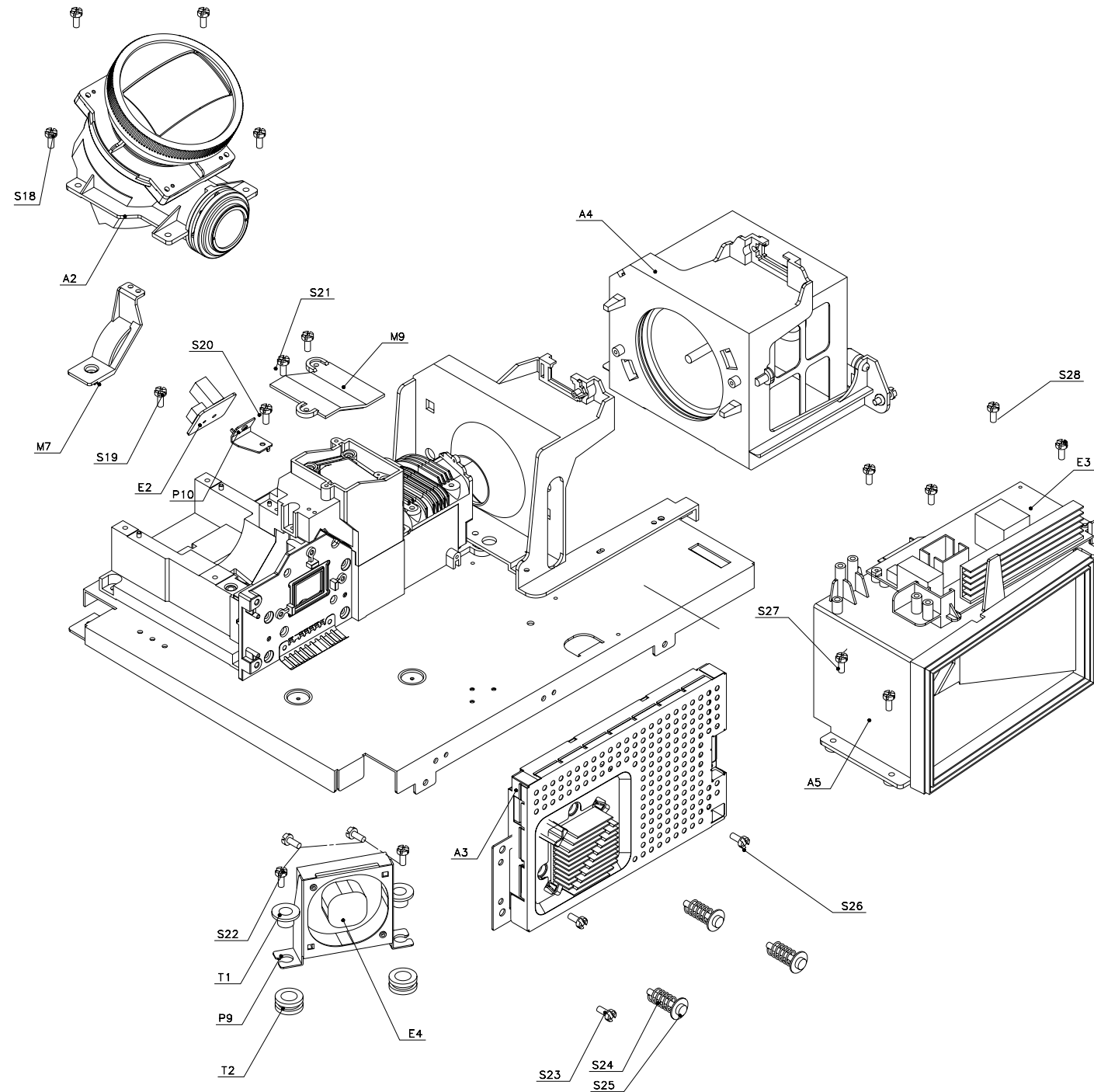


NO.	CODE NO.	DESCRIPTION	QUANTITY	REMARK
1.1	AA47-00007A	LAMP- MERCURY-TS	1	
1.2	AA47-00005A	LAMP- MERCURY-OS	1	
2	BN64-00094A	GLASS- UV FILTER	1	
3	BN64-00092A	GLASS- COLOR WHEEL	1	
4	BN67-00058A	MIRROR- LIGHT TUNNEL	1	
5	BN67-00061A	LENS- I LL- E1	1	
6	BN67-00062A	LENS- I LL- E2	1	
7	BN67-00059A	MIRROR- I LL- M1	1	
8	BN67-00063A	LENS- I LL- E3	1	
9	BN67-00060A	MIRROR- I LL- M2	1	
10	BN67-00064A	LENS- I LL- E4	1	
11	4719-001079	DMD PANEL	1	
12	BN64-00093A	GLASS- TIR PRISM	1	
13	BP67-00032A	LENS- PRJ- ASSY	1	ASSY OF LENS- PRJ- E1-E10 & MIRROR- PRJ- FOLD
14	-	LENS- PRJ- E10	1	
15	-	LENS- PRJ- E9	1	
16	-	LENS- PRJ- E8	1	
17	-	LENS- PRJ- E7	1	
18	-	LENS- PRJ- E6	1	
19	-	MIRROR- PRJ- FOLD	1	
20	-	LENS- PRJ- E5	1	
21	-	LENS- PRJ- E4	1	
22	-	LENS- PRJ- E3	1	
23	-	LENS- PRJ- E2	1	
24	AA67-00183A	LENS- PRJ- E1	1	ASPHERICAL LENS

7-4 Exploded View of Engine



	NO.	CODE-NO	CODE-NAME 1	CODE-NAME 2	CODE-NAME 3	Specification	Quantity
	50"	BP96-00087A	ASS'Y ENG.-MECHA				
	61"		ASS'Y ENG.-MECHA				
A2	A2	BP67-00032A			ASS'Y-P/J LENS		
A4-1	A4-1	BP96-00224A	(43",50")		ASS'Y-LAMP	61": BP96-00224B	
A4-2	A4-2	BP96-00224B	61"				
E1	E1	91-00755A			ASSY-THERMOSTAT	Part:4712-001020	1
A5	A5				DUCT-FAN ASSY	PC+ABS	1
E3-1		AA47-00008A	(43",50")		LAMP-BALLAST-TS	370V,0.33A,100W,150x73mm	
E3-2		BP47-00003A	61"		LAMP-BALLAST-OS	380V,0.4A,135W,150x73mm	
S28	BAL+DUC	6003-000010			SCREW-TAPTITE	BWH,+B,M3,L10,ZPC(YEL)	4
S27	FAN+DUC	6003-001360			SCREW-TAPTITE	HH,+B,M4,L12,ZPC(YEL)	2
M6		AA63-00584A			COVER-L/T	PC+GF20%	1
D2		BN62-00006A			H/SINK-C/WHEEL	AL	1
P11		BN61-00218A			CLIP-UV FILTER	SUS t+0.2	1
09		AA64-00094A			GLASS-UV FILTER	GLASS,T1.1,26x26,NTR,AOI+12	
S7	CLT+HSC	6001-00259			SCREW-TAPTITE	BH,+M3,L8,ZPC(YEL)	3
S9	S/L+CLT	6001-00259			SCREW-TAPTITE	BH,+M3,L8,ZPC(YEL)	2
A1		BP96-00250A			ASS'Y-C/WHEEL		
M4		AA63-00585A			COVER-CTRL MRR	PC+GF20%	1
P8		AA61-01181A			SPRING-CTRL MIRROR	SUS t0.3	1
P7		AA61-01179A			SPRING-LENS(E3)	SUS T=0.2	1
P4		AA61-01168A			BRKT-MIRROR(E1)	SUS t=0.3	1
M3		AA61-01165A			HOLDER-LENS(E3)	PC+GF20%	1
S15		AA61-01194A			SPRING COIL-CTRL MRR	Purchase	3
M5		AA61-01163A			HOLDER-CTRL MRR	PC+GF20%	1
M9		AA63-00583A			COVER-CONTROL CAP	ABS VO	1
E2					ASSY-I/R		1
P10		AA61-01172A			BRACKET-RMC	SECC T=1.0	1
07		BN67-00063A			LENS-ILL-E3	PI=31,R1=0,R2=23.2(ASP),B270,T=6.5	1
08		BN67-00060A			MIRROR-ILL-M2	GLASS,39x36,NTR,T3,FRONT COATING	1
S29	ACM+B/E	6003-000259			SCREW-TAPTITE	BH,+B,M3,L8,ZPC(YEL)	3
S14	S/L+H/L	6003-000257			SCREW-TAPTITE	PH,+M2,L6,ZPC(YEL),SM20C	3
S19	P/R+B/R	6003-000259			SCREW-TAPTITE	BH,+B,M3,L8,ZPC(YEL)	1
S20	B/R+C/M	6003-000259			SCREW-TAPTITE	BH,+B,M3,L8,ZPC(YEL)	1
S16	CCM+HCM	6001-000768			SCREW-TAPTITE	BH,+M2,L12,ZPC(YEL),SM20C	3
S21	CCC+CCM	6003-000259			SCREW-TAPTITE	BH,+B,M3,L8,ZPC(YEL)	2
S13	CCM+H/L						
S17	SCM+HCM	6003-000257			SCREW-TAPTITE	PH,+M2,L6,ZPC(YEL),SM20C	3
D1		AA61-01164A			HOLDER-PANEL	AL	1
P3		AA61-01166A			BRKT-LENS(E4)	SUS	1



T3		AA60-00150A		SPACER RUBBER-PRISM	RUBBER	2
2		BN67-00064A		LENS-ILL-E4	PI=42,R1=98,281,R2=54,766,BSC7,T=8	
S3	B/L+H/P	6001-000871		SCREW-MACHINE	BH,+,M2,L6,ZPC(YEL),SWRCH10R	4
A3		BP96-00249A		ASS'Y-DMD PANEL		
S24		AA61-01195A		SPRING COIL-DMD		3
S25	D/P+AHP	6001-000942		SCREW-MACHINE	PH,+,M3,L30,ZPC(YEL),SWRCH10A	3
P1		AA61-01169A		BRKT-ENGINE BOTTOM	SECC t=1.6	1
M1		AA61-01182A		BASE-ENGINE	PC+GF30%	1
P5		AA61-01178A		SPRING-L/T	SUS T+0.2	1
M7		AA63-00582A		COVER-DUST	ABS VO	1
P6		BP63-00018A		SHIELD-OFF LIGHT	SECC t=1.0	1
P9		MD60-00003		SPACER-RUBBER		1
E4		BP31-00002A		SUB FAN	60x60x15	1
		BP60-00013A		SPACER DUST COVER	SPONGE PE FOAM BLK VO	1
		BP60-00013B		SPACER DUST COVER	SPONGE PE FOAM BLK VO	1
		BN63-00420A		COVER DUST-ENGINE	PC+ABS	1
		BN65-00001A		CLAMP-CORE	NYLON 66 DAQC105	2
		BP60-00013B		SPACER-DUST COVER	SPONGE PE FOAM VO BLK(280mm)	1
		AA65-30105C		CLAMP WIRE	NYLON 66	1
		AA61-00097A		HOLDER-WIRE	NYLON 66	1
		AA65-30010B		CLAMP-WIRE	NYLON 66	1
		AA61-20129B		HOLDER-WIRE CLAMP	NYLON 66	1
3		BN67-00058A		MIRROR-LIGHT TUNNEL		1
5		BN67-00061A		LENS-ILL-E2		1
4		BN67-00062A		LENS-ILL-E1		1
1		BN67-00059A		MIRROR-ILL-M1	GLASS,41x28,NTR,T3,FRONT COATING	1
6		BN64-00093A		GLASS-TIR PRISM	BSC7,T36,53,45x38,NTR	1
S11	E/B+BBE	6001-001627		SCREW-MACHINE	PWH,+,M4,L12,ZPC(YEL),SWRCH18A,FP	7
S18	HLB+BBE	6001-001627		SCREW-MACHINE	PWH,+,M4,L12,ZPC(YEL),SWRCH18A,FP	4
S6	SLT+B/E	6003-000257		SCREW-TAPTITE	PH,+,M2,L6,ZPC(YEL),SM20C	5
S22	FAN+BSF	6003-000279		SCREW-TAPTITE	BH,+,M3,B,L20,ZPC(YEL)	2
S22	BSF+BBE	6003-000279		SCREW-TAPTITE	BH,+,M3,B,L20,ZPC(YEL)	2
S26	BOL+B/E	6003-000259		SCREW-TAPTITE	BH,+,B,M3,L8,ZPC(YEL)	1
S5	ACW+B/E	6003-000259		SCREW-TAPTITE	BH,+,B,M3,L8,ZPC(YEL)	3
S29	ACC+B/E			SCREW-TAPTITE	BH,+,B,M3,L8,ZPC(YEL)	3

< 50" : 61" Optical materials >

50" DLP			61" DLP		
MAKER	DESCRIPTION	CODE NO	MAKER	DESCRIPTION	CODE NO
HTL	LAMP-MERCURY-TS	AA47-00007A	OSRAM	LAMP-MERCURY-OS	BP47-00002A
HTL	LAMP-BALLAST-TS	AA47-00008A	OSRAM	LAMP-BALLAST-OS	BP47-00003A
OCLI	50"W MIRROR-FRONT	BP67-00033A	OCLI	61"W MIRROR-FRONT	BP67-00035A
TOPPAN	50" LENTI	AA67-00169A	TOPPAN	61" LENTI	BP64-00099A
TOPPAN	50" FRESNEL	AA67-00172A	TOPPAN	61" FRESNEL	BP64-00098A